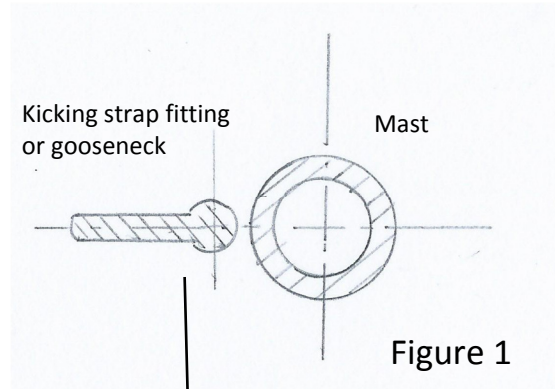


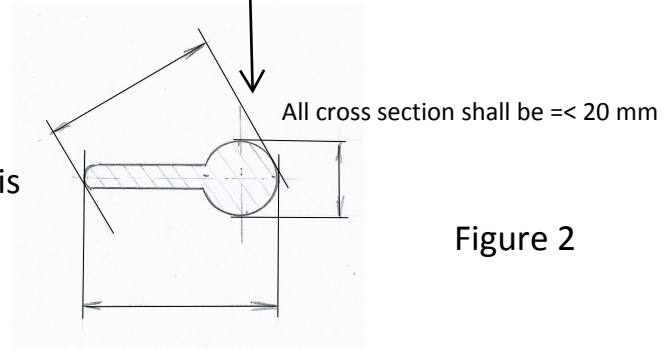
International One Metre Class Rule F.2.4(d) explanation

Kicking strap fitting or gooseneck shown on Figure 1 is:

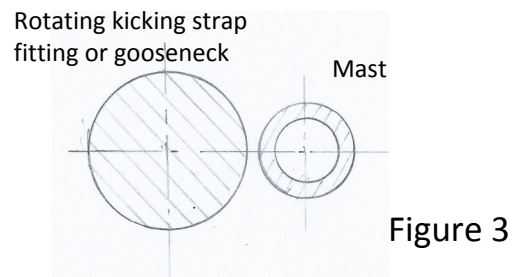
- (1) exposed
- (2) not circular in cross section
- (3) and rotates.



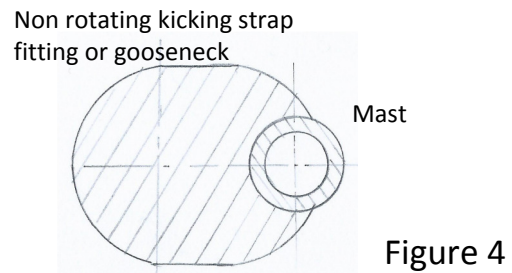
Therefore it shall not exceed 20 mm in any cross section perpendicular to its axis of rotation.



Kicking strap fitting or gooseneck shown on Figure 3 is of circular cross section and may be of any size.



Kicking strap fitting or gooseneck shown on Figure 4 does not rotate and may be of any size.



Kicking strap fitting or gooseneck shown on Figure 5 is not exposed and may be of any size.

